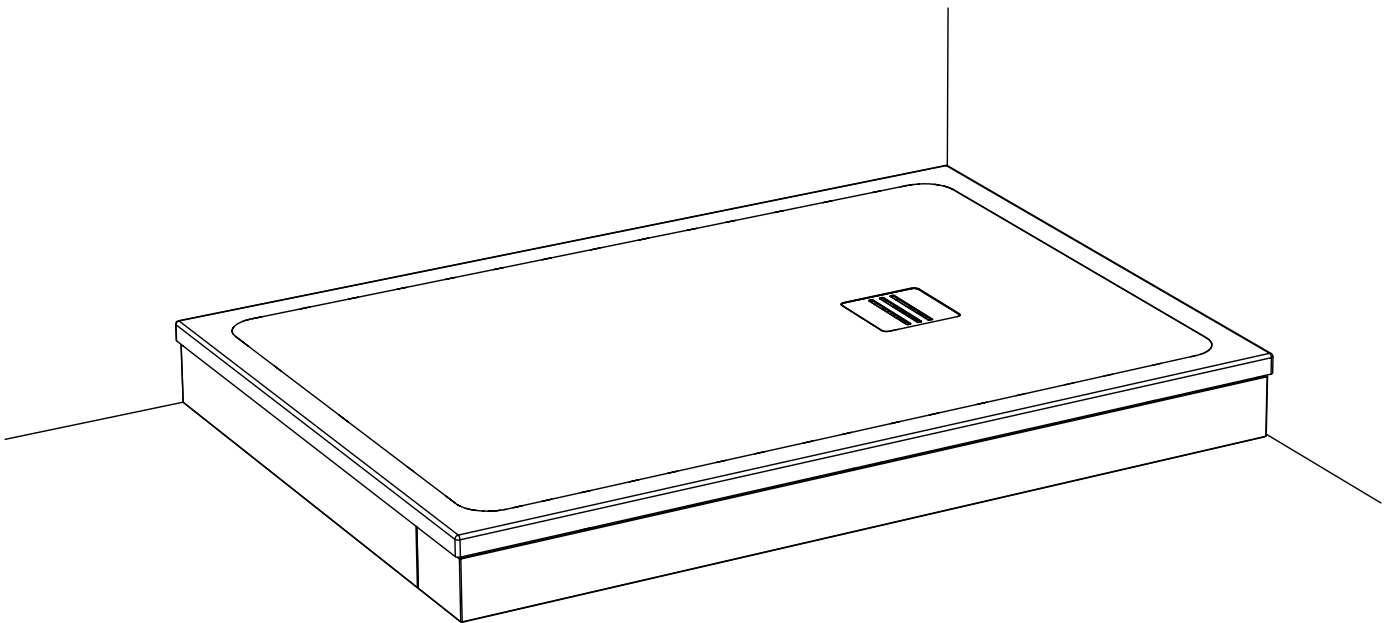


# TRAY VISTA

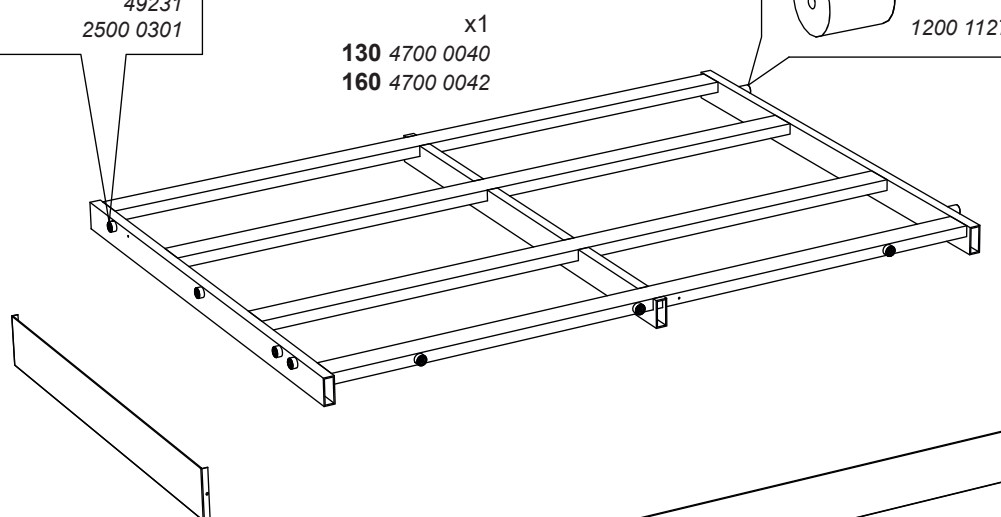
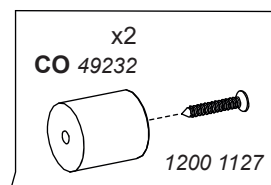
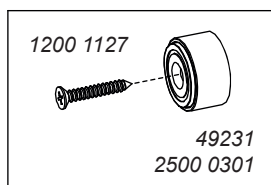
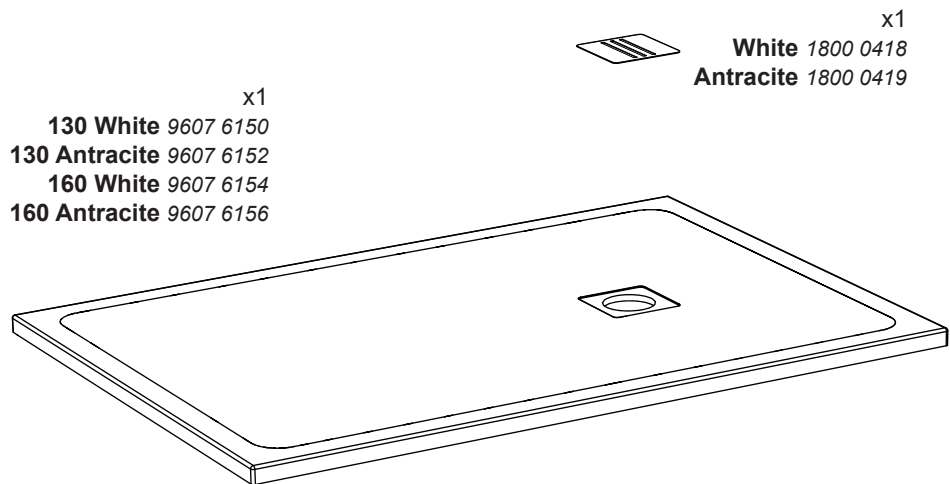
2022-10-25



## Installation instruction

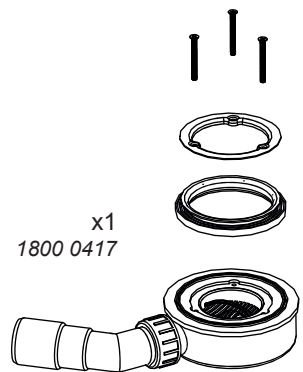
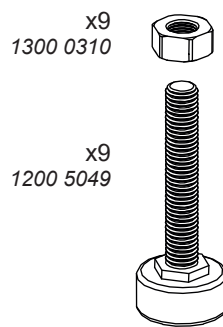
2900 3040

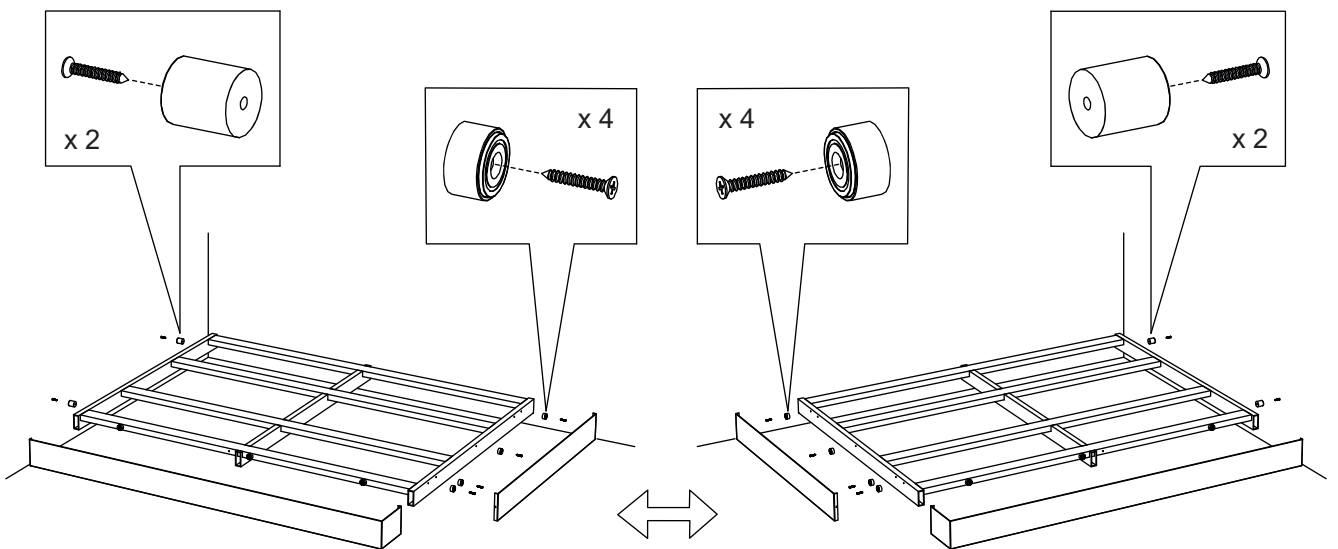
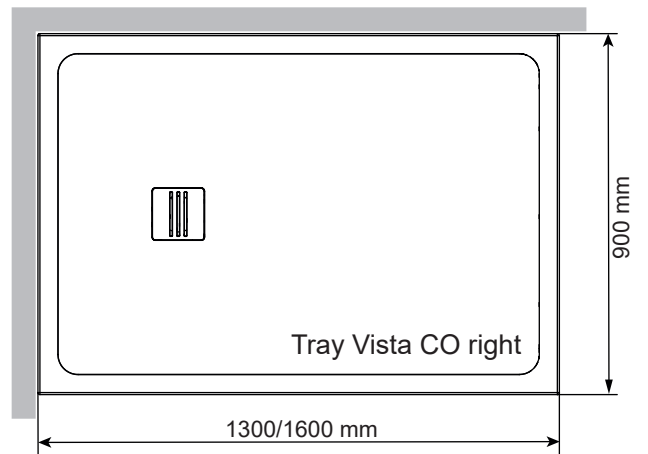
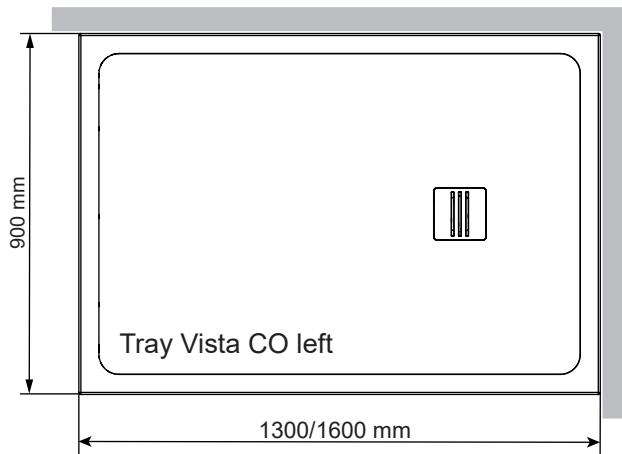
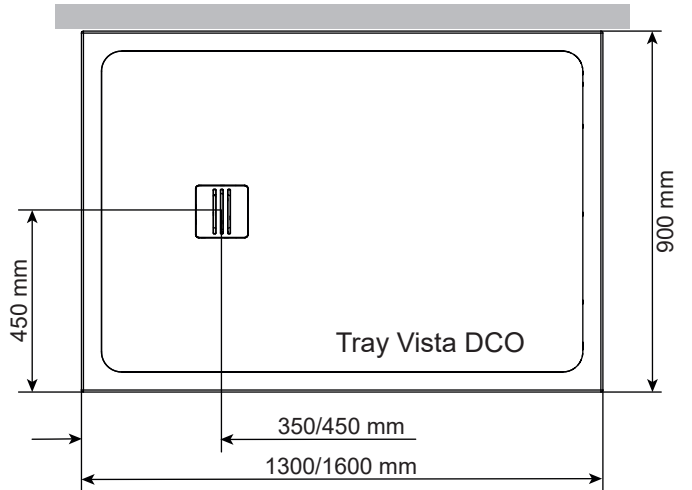
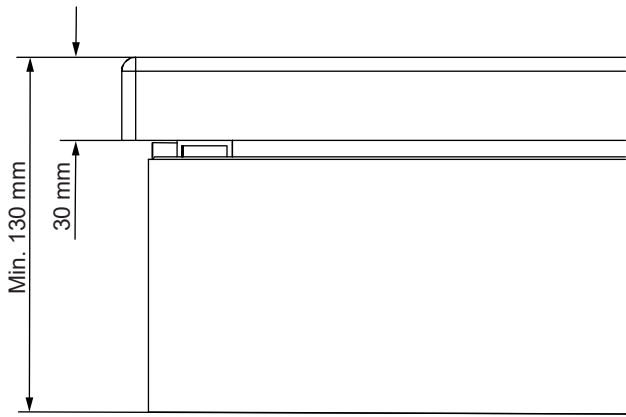
**TYLÖ**



x1  
**130/160 CO White** 1800 0446  
**130/160 CO Black** 1800 0448  
 x2  
**130/160 DCO White** 1800 0446  
**130/160 DCO Black** 1800 0448

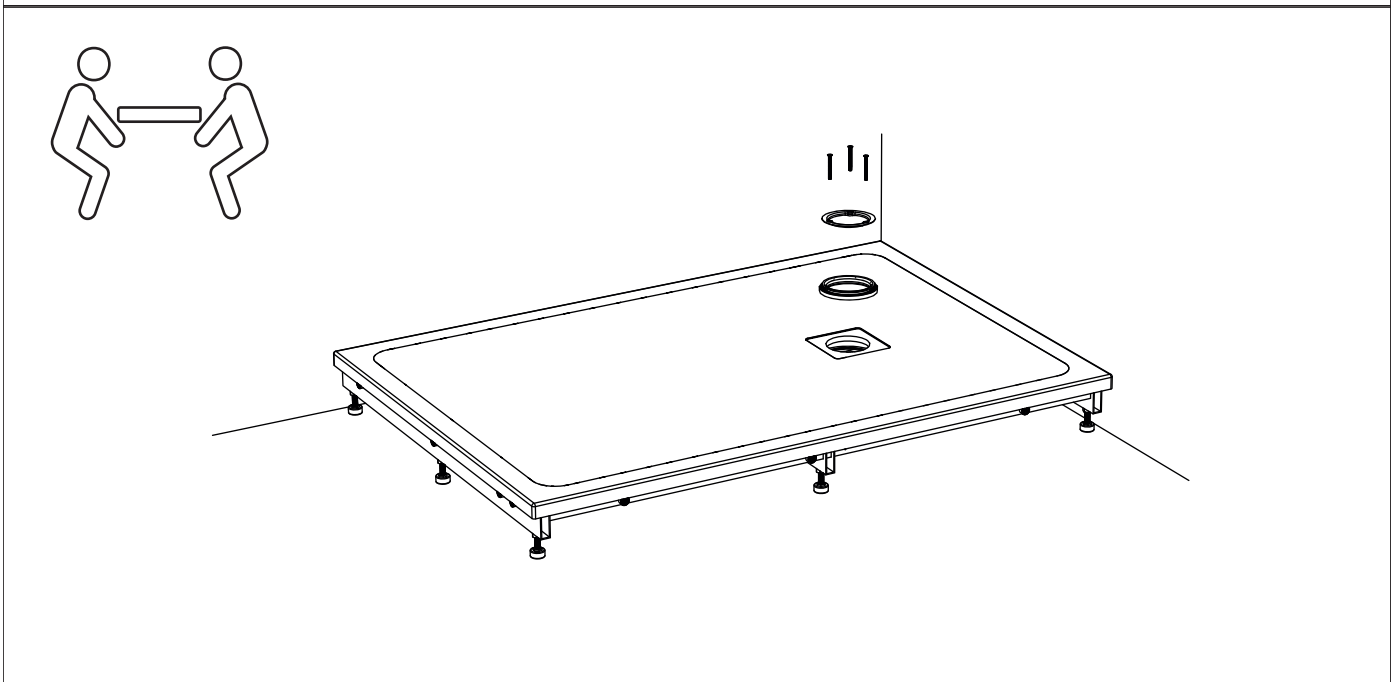
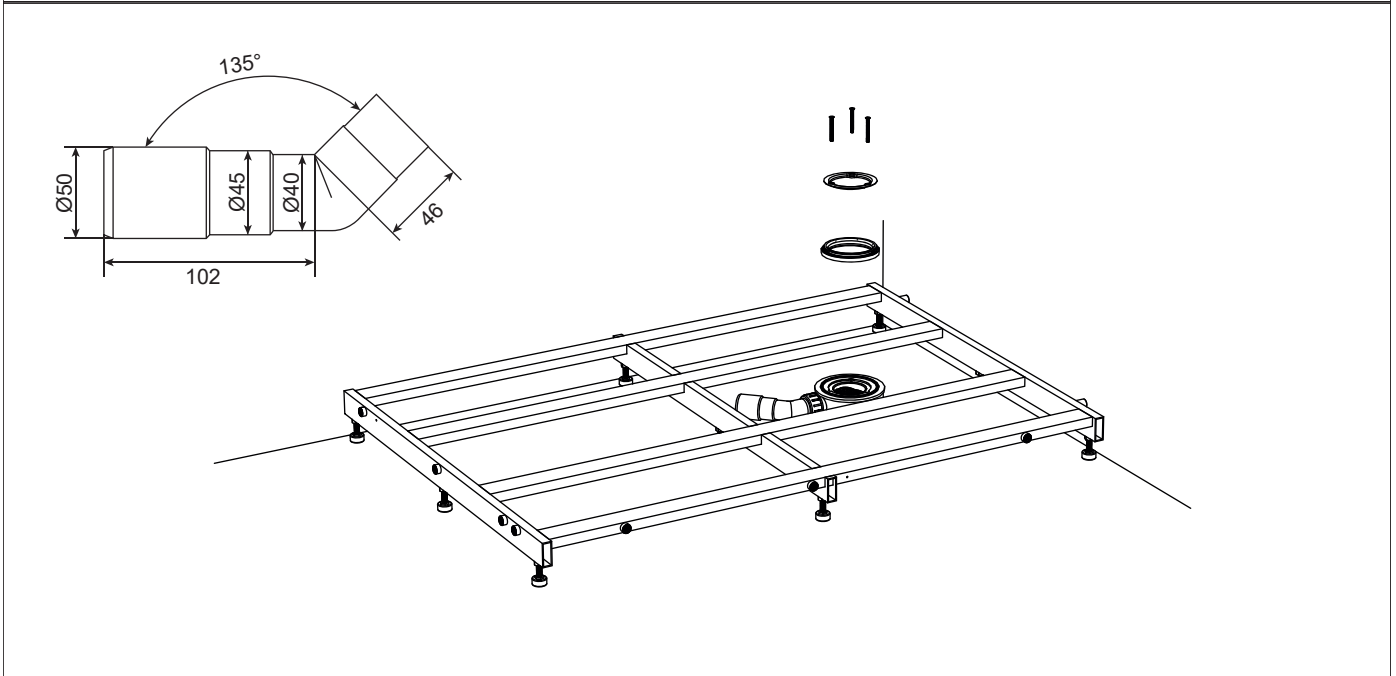
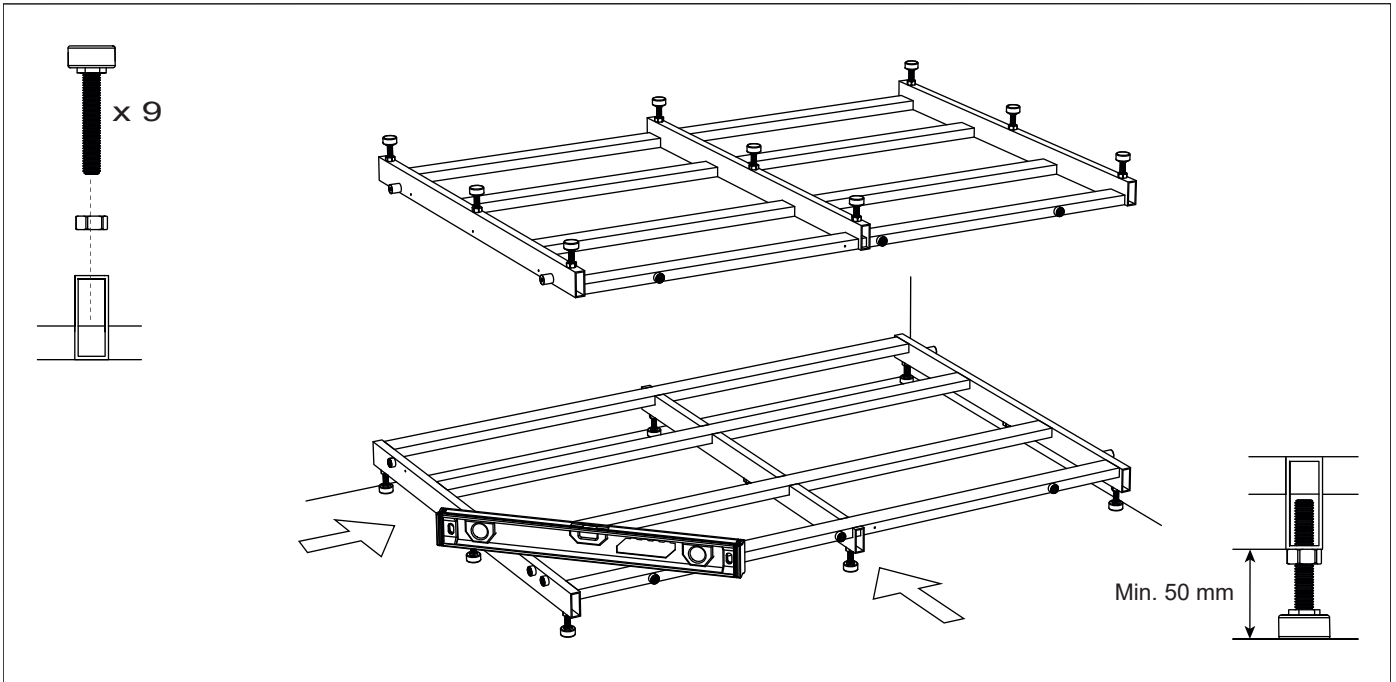
x1  
**130 CO White** 1800 0430  
**130 CO Black** 1800 0432  
**160 CO White** 1800 0434  
**160 CO Black** 1800 0436  
**160 DCO White** 1800 0438  
**160 DCO Black** 1800 0440  
**130 DCO White** 1800 0442  
**130 DCO Black** 1800 0444

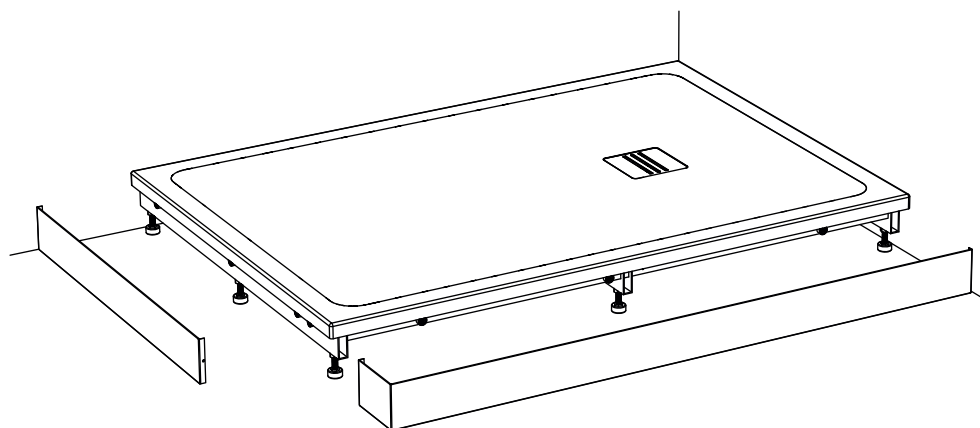
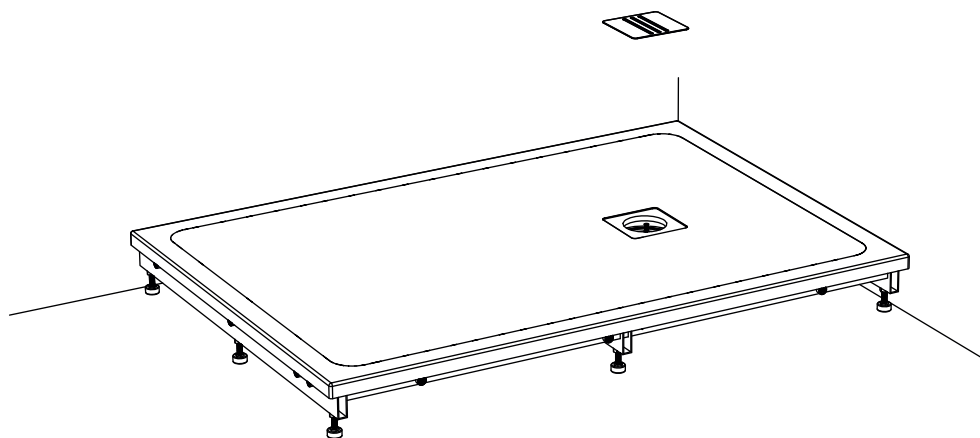




Tray Vista CO right

Tray Vista CO left





**TYLÖ**

*For other languages please contact [marketing@sauna360.com](mailto:marketing@sauna360.com)*